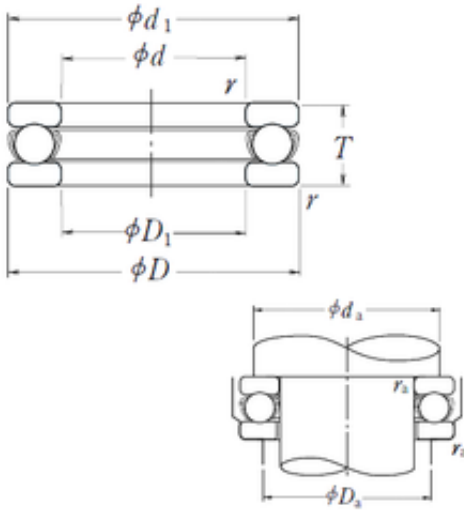




# Osborn Load BEARING LTD



51104 Bearing 2D drawings and 3D CAD models

## NSK 51104 Thrust Ball Bearing Made in Japan

Bearing No. 51104

Size	20x35x10 mm
Bore Diameter	20 mm
Outer Diameter	35 mm
Width	10 mm
d	20 mm
D	35 mm
T	10 mm
d1	35 mm
r min.	0,3 mm
D1	21 mm
da min.	29 mm
Da max.	26 mm
ra max.	0,3 mm
Weight	0,037 Kg
Basic dynamic load rating (C)	15,1 kN
Basic static load rating (C0)	26,6 kN
(Grease) Lubrication Speed	5300 r/min
Category	Thrust Ball Bearing
Inventory	0.0
Manufacturer Name	NSK
Minimum Buy Quantity	N/A
Weight / Kilogram	0.04
EAN	0029176026393
Product Group	B00308
Rolling Element	Ball Bearing
Thrust Bearing	Yes



## Osborn Load BEARING LTD

Single or Double Direction	Single Direction
Banded	No
Cage Material	Steel
Precision Class	Non-Precision
Component Description	Roller Assembly Plus Raceways
Other Features	Single Row   With Flat Seat
Long Description	20MM Bore 1; 21MM Bore 2; 35MM Outside Diameter; 10MM Height; Ball Bearing; Single Direction; Not Banded; Steel Cage; Non-Precision
Inch - Metric	Metric
Category	Thrust Ball Bearings
UNSPSC	31171552
Harmonized Tariff Code	8482.10.50.08
Noun	Bearing
Keyword String	Ball Thrust
Manufacturer URL	<a href="http://www.nskamericas.com">http://www.nskamericas.com</a>
Manufacturer Item Number	51104
Weight / LBS	0.08157
Outside Diameter	1.378 Inch   35 Millimeter
Height	0.394 Inch   10 Millimeter
Bore 2	0.827 Inch   21 Millimeter
Overall Height with Aligning Washer	0 Inch   0 Millimeter
Bore 1	0.787 Inch   20 Millimeter
bore diameter:	20 mm
static load capacity:	2710 kg
outside diameter:	35 mm
dynamic load capacity:	1540 kg
overall width:	10 mm



## Osborn Load BEARING LTD

operating temperature range:	Maximum of +120 ° C
thrust bearing type:	Single-Direction
maximum rpm:	8000 RPM
outside diameter design:	Straight
cage material:	Steel
separable or banded:	Separable
fillet radius:	0.3 mm
race type:	Flat
series:	511
precision rating:	ABEC 1 (ISO Class Normal)
SRI	3
hidYobi	51104
LangID	1
D_	35
SREX	0.03
C	15.1
B_	10
hidTable	ecat_NSSDTB
Oil rpm	8000
SRE	3
mass	0.037
GRS rpm	5300
ra	0.3
SRIX	0.03
D_a	26
SRIN	0
C0	26.6
SREN	0
D_1	21
Prod_Type3	TB_SD_WFS
da	29



## Osborn Load BEARING LTD

DA_	5.556
Z_	14
yobi	51104
SDM_	27.5
r	0.3
T_	10
KBRG	5111